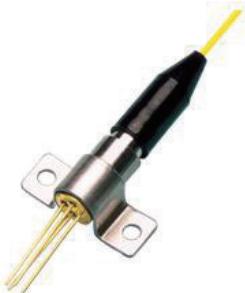


**976nm~980nm 100mW Coaxial Pigtail LD with MMF**
**980nm Fiber Coupled Laser Diode**

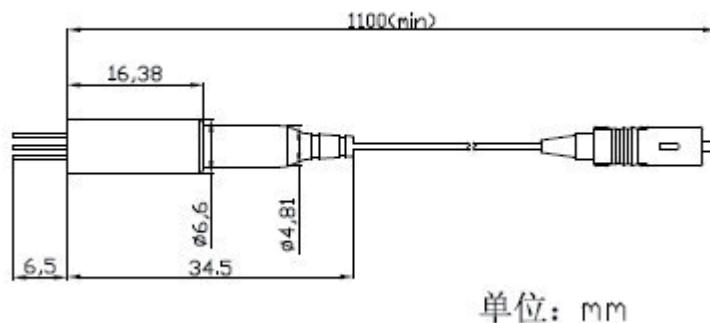
WSLP-980-100m-105M-PD

Wavespectrum laser inc.

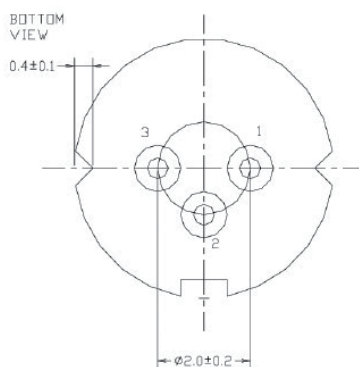
[www.wavespectrum-laser.com](http://www.wavespectrum-laser.com)

980nm Pigtailed Diode Laser		100mW/MM Fiber		Wavespectrum Laser, Inc	
PARAMETER	SYMBOL	VALUE		UNIT	
Reverse Voltage	$V_r$	2.0		V	
Operating Temperature	$T_{op}$	-10~+40		°C	
Storage Temperature	$T_{stg}$	-40 ~ +85		°C	
Lead soldering temperature (10 sec.)	$T_{is}$	260		°C	
<b>Features:</b> <ul style="list-style-type: none"> <li>● 980nm</li> <li>● MM Fiber</li> <li>● Coaxial package</li> <li>● Built-in PD</li> </ul>					
<b>Applications:</b> <ul style="list-style-type: none"> <li>● Medical laser treatment</li> <li>● Printing</li> </ul>					
<b>Specifications</b>		<b>WSLP-980-100m-105M-PD</b>			
		<b>Min</b>	<b>Type</b>	<b>Max</b>	
Center Wavelength@25°C		970nm	980nm	990nm	
Spectral Width (FWHM)		----	2.0nm	3.0nm	
Output Power		----	100mW	----	
Fiber Core		105 um			
Slope Efficiency		0.8mW/mA	0.9mW/mA	----	
Monitor Current		----	2000uA	----	
PD Reverse Voltage		----	30V	----	
Fiber Connector		FC/ST/SMA905			
Fiber Length		----	80cm	100cm	
Threshold Current (Typ.)		----	55mA	----	
Operating Current (Typ.)		----	350mA	----	
Operating Voltage		----	1.9V	2.2V	
Package Style		Coaxial			

### Coaxial Package View



### PIN Bottom View:



1	LD(+)
2	LD(-)&PD(-)
3	PD(+)

Electrically shorten LD module and store in non-extreme conditions.  
Suggest using the constant current power supply.

